

HBL2730SW -- Twist-Lock Watertight Safety-Shroud Receptacle



3P4W, 30A 3PH 480V, L16-30R, Gray Thermoplastic Polyester Housing

Product Specifications

Product Type



Product Item

Single Receptacle

Wiring Scheme

3 Pole, 4 Wire Grounding

Amperage

30A

Voltage

3 Phase 480V AC

NEMA Configuration

L16-30R

Item Style

Shrouded Watertight

Device Color

Gray

Horsepower

10

Terminal Retainer Material

Clear polycarbonate

Housing Material

Impact modified PBT

Terminal Clamp Material

Steel, nickel plated .080" Curved, scalloped

Terminal Screw Material

#10-32 Brass (white finish on neutral screw when used) Multi-drive

Ground Screw Material	#10-32 Brass (Green)
Body Contact Carrier Material	Natural White Nylon
Contact Spring Material	.031" Brass
Spring Binding Plate Material	.031" Brass
Mounting Screw Material	Stainless Steel 302/304 Multi-drive
Ground Contact Material	.031" Brass
Rivet Material	Steel
Ratings	Molded into body
Catalog No.	Marked onto body
Dielectric Voltage Withstand	2,000V minimum
Current Interrupting	Certified for current interrupting at full rated current.
Temperature Rise	Max 30 deg. temperature rise at full rated current after 50 cycles of overload at 150% of rated current at a power factor of .75
Terminal Accommodation	30A-#10AWG
Terminal Identification	Terminals identified in accordance with UL 498 (X, Y, Z, White, Green)
Flammability	VO per UL94 or CSA 22.2 No. 0.6
Operating Temperatures	Maximum Continuous 75 C Minimum -40 C (w/o impact)
Moisture Resistance	Type 4, 4X, 12, IP66 suitability
Flange Gasket Material	Closed-cell Neoprene foam
Lid Gasket Material	Closed-cell Neoprene foam
Cover Hinge Pin Material	Stainless Steel 302/304
Housing and Flange Material	Gray Valox
Cover Spring Material	Stainless Steel 302/304
Listings	FED SPEC UL/CSA
Catalog Page	Click here for catalog page B44
Brochures	Click here for product brochure
Hubbellnet	Click here for Hubbellnet
Catalog Section	Click here for Section-B
UPC Number	78358523190
Weight in LBs	0.65



NEMA L16-30R
30A 3Ø 480V AC
UL/CSA
10 HP

NEMA
Configuration

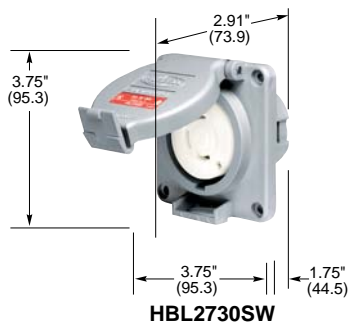


TWIST-LOCK® Devices

3 Pole, 4 Wire Grounding

30 Ampere, 3Ø 480 and 3Ø 600 Volts AC

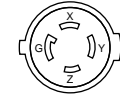
Watertight Safety-Shroud TWIST-LOCK® System



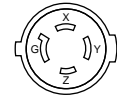
UL Listed, CSA Certified to Type 4, 4X, & 12



IP66
SUITABILITY



NEMA L16-30R
30A 3Ø 480V AC
UL/CSA
10 HP



NEMA L17-30R
30A 3Ø 600V AC
UL/CSA

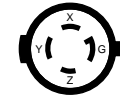
Watertight Safety-Shroud Twist-Lock Receptacles

Description	Catalog Numbers
Gray Valox® housing and flange.	HBL2730SW HBL2740SW

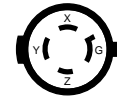
Note: Receptacles only fit boxes listed on page B-72.

Watertight Safety-Shroud Twist-Lock Connector Bodies

Description	Catalog Numbers
Black Valox housing, white Valox clamps.	HBL2733SW HBL2743SW



NEMA L16-30P
30A 3Ø 480V AC
UL/CSA
10 HP



NEMA L17-30P
30A 3Ø 600V AC
UL/CSA

Watertight Safety-Shroud Twist-Lock Plugs

Description	Catalog Numbers
Black Valox housing, white Valox clamps.	HBL2731SW HBL2741SW

Watertight Safety-Shroud Twist-Lock Inlets

Description	Catalog Numbers
Gray Valox housing and flange.	HBL2735SW HBL2745SW

Notes: Only receptacles and plugs 480V AC or less are HP rated.

All HP ratings are AC only.

Cord grip range for plugs and connector bodies

.35"-1.15" (9-29), #16-4 Type SJ to #8-4 Type S, SO.

For technical information see page B-84.

CIRCUIT-LOCK® Unfused Safety-Shroud Mechanical Interlock for Twist-Lock Receptacles

Description	Catalog Number
Mechanical Interlock accommodates 20A and 30A watertight Safety-Shroud receptacles.	HBLMITL*

Note: *See pages B-64 and B-65 for complete details.

®Valox is a registered trademark of General Electric Company.